

# UL1259-001

## SPECS

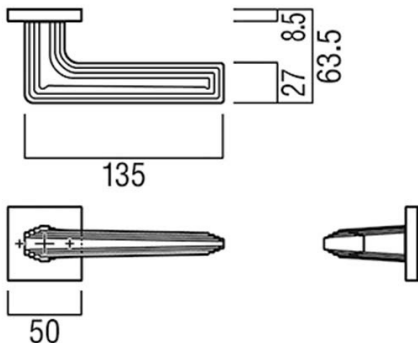
MATERIAL: Cast Aluminum

FINISH: Blast, Anodized, Umber

LENGTH:: 135 mm

PROJECTION: 63.5 mm

*For more information, visit website [artunion.co.jp/en](http://artunion.co.jp/en)  
or contact to our sales team through email: [sales@artunion.co.jp](mailto:sales@artunion.co.jp)*



# UL1259-002

## SPECS

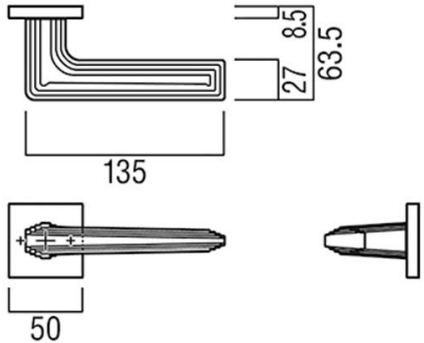
MATERIAL: Cast Aluminum

FINISH: Blast, Anodized, Black

LENGTH:: 135 mm

PROJECTION: 63.5 mm

*For more information, visit website [artunion.co.jp/en](http://artunion.co.jp/en)  
or contact to our sales team through email: [sales@artunion.co.jp](mailto:sales@artunion.co.jp)*



# UL1259-003

## SPECS

MATERIAL: Cast Aluminum

FINISH: Blast, Anodized, Pale Gold

LENGTH:: 135 mm

PROJECTION: 63.5 mm

*For more information, visit website [artunion.co.jp/en](http://artunion.co.jp/en)  
or contact to our sales team through email: [sales@artunion.co.jp](mailto:sales@artunion.co.jp)*